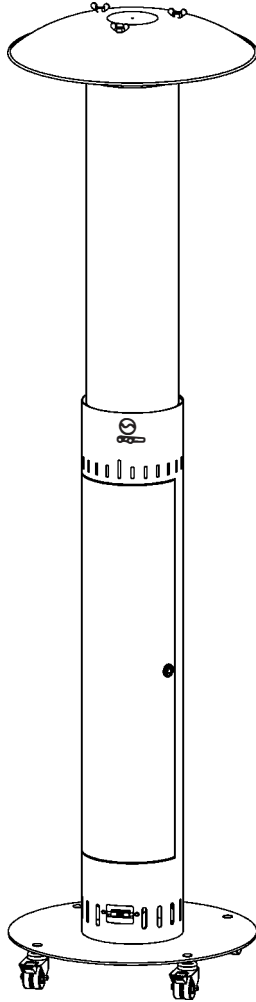


INSTRUCTION MANUAL

Model: BPH006 OUTDOOR PELLET HEATER



**WARNING: FOR OUTDOOR USE ONLY OR IN AMPLY VENTILATED AREAS!
PLEASE KEEP THE MANUAL FOR FUTURE REFERENCE!**

TABLE OF CONTENTS

INDEX	1
1 – WARNINGS	2
2 – SAFETY	3
3 – SHIPPING AND STOCKING	4
4 – INSTALLATION INSTRUCTIONS	4
4.1 – LOCATION OF THE APPLIANCE	5
4.2 – IMPORTANT SAFETY RULES	6
4.3 – DIMENSIONS	6
5 – PART LIST	7
6 – ASSEMBLY	8
7 – USER GUIDE	11
7.1 – THE PELLET	11
7.2 – PRELIMINARY CHECK UP	12
8 - START	12
8.1 – POWERBANK (BATTERY)	12
8.2 - PELLET CHARGE	13
9 - CLEANING AND MAINTENANCE	14
9.1 – INTRO	14
9.2 - CLEANING AND MAINTENANCE	15
9.3 – END SEASON MAINTENANCE	16

Please take some time to read this manual carefully before you use it for the first time. In this way you can make the best use of your appliance in conditions of safety and efficiency.

1–WARNINGS

Read the instructions carefully and follow the prompts. This manual is manufactured by the manufacturer and is a large part of the product. Compliance with the instructions contained in this note results in safe, efficient operation of people and businesses, and ensures long-term functional availability and long life. The manufacturer is not liable for any compensation at the time of use.

HOW TO READ THIS GUIDE

"Bold" texts require more attention from the user; cursive text is possibly used in paragraphs for the purpose of providing more information or additional clarifications.

Any "Note" provides the user with additional information on the subject.



MANUAL

Consult this manual or any references to other documentation.



ADJUSTMENTS AND OPERATING SETTINGS:

Sequence of buttons to be pressed to access menus or make adjustments.



INFORMATION

Failure to comply with what is prescribed will compromise the use of the product.



DAMAGE TO PERSONS

This security symbol identifies important information.

Read the information that follows carefully, as failure to follow the instructions can cause serious damage to people using the appliance.



PROHIBITION

This symbol categorically prohibits the operation or situation described in the information.

Failure to comply would result in what is mentioned for the "PERSONAL DAMAGE" symbol

2-SAFETY

The appliance has been designed to minimize the risks for the user and maintenance personnel. During the project, it was not technically possible to completely eliminate the causes of risk, therefore it is absolutely necessary to comply with the following instructions.

The use of the appliance is prohibited to children and unassisted disabled people.

It is forbidden to tamper with the safety or adjustment devices and any other modification without the manufacturer's authorization.



The use of the appliance as an incinerator or in any case the use in a different way for which it was built is prohibited.

It is forbidden to place rags or clothes to be dried on the appliance, any drying racks must be placed at a minimum distance of 1.2 meters from the appliance in order to avoid fire hazards.

It is forbidden to open the appliance door during the ignition, operation and shutdown phases.

It is forbidden to operate the appliance if the glass of the combustion chamber is broken.



It is forbidden to clean the glass and all hot parts while the appliance is in operation.

It is forbidden to touch the appliance while it is running or in any case when it is not completely cooled as some parts (handle, door, glass, etc.) could cause burns. If necessary, use protective clothing (example: gloves, etc.). It is forbidden to use other types of fuel for the power supply or ignition of the appliance.

It is forbidden to put flammable materials near the appliance (example: bags of pellets, flammable liquids, etc.).



Children must not play with the appliance even if it is turned off. Cleaning and maintenance is intended to be carried out by the user or by qualified personnel.

WARNING

Do not use the appliance under rain, the glass protections may break when they suddenly encounter water. Always turn off the appliance while it rains. Do not spray any liquid on the glass while the appliance is running. The glass is extremely hot during operation, do not try to touch it and keep children away from the appliance. Always make sure that the equipment is in a stable position. The glass protections could break if the appliance falls to the ground. Do not use the appliance if the glass is broken or damaged.





CAUTION

Some parts of this product can become very hot and cause burns. Particular attention must be paid where children and vulnerable people are present.

During and immediately after operation, the appliance is extremely hot.

NEVER touch the appliance during or immediately after operation.

NEVER move the appliance during this time.

3–SHIPPING AND STOCKING



The body of the appliance must always be moved in a vertical position. Particular attention must be paid to ensuring that the glass and all delicate parts are preserved from mechanical impacts that compromise its integrity and correct functioning.

The appliance and any accessories such as steel, glass or stone cladding must be stored in closed and humidity-free rooms. Do not stack the appliances one on top of the other. Handle with care the boxes containing the appliances.

It is not recommended to keep the product in stock for excessively long periods.

4–INSTALLATION INSTRUCTIONS

The installation and assembly of the appliance must be carried out carefully following the instructions and in full compliance with the state and local reference standards. An installation that does not comply with the provisions of the regulations can cause damage to people, animals or things. In this case The manufacturer declares itself relieved of any responsibility.

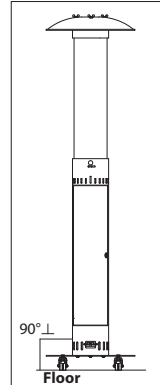


ATTENTION: if the indications given in this booklet are not respected and / or if the installation is not in a workmanlike manner and / or if the provisions in force on the matter are not respected, this can occur dangerous conditions both for things and for people.

4.1 – LOCATION OF THE APPLIANCE



Pellet heater is an open hearth combustion appliance intended exclusively for outdoor use or in partially closed rooms such as porches, pergolas. The positioning of the appliance must take place on a leveled surface with adequate load capacity in relation to the weight of the appliance. If necessary, redistribute the weight evenly by placing an adequately sized fireproof platform between the floor and the appliance.



ATTENTION: the appliance must be installed perfectly perpendicular to the ground.



The appliance has been designed to work with favorable climatic conditions, in case of particularly adverse conditions (strong wind, intense rain, snow) it is not recommended to use the appliance.



Installation of the appliance in unsuitable rooms with insufficient ventilation (where the correct evacuation of combustion products is not guaranteed) is not allowed. It is forbidden to place the device in environments with an explosive atmosphere.



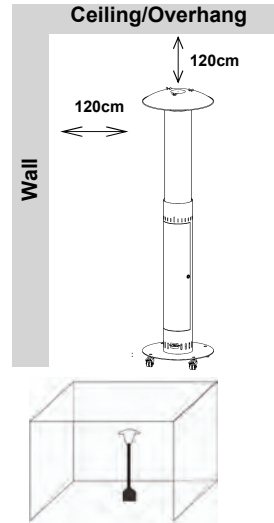
The combustion products generated by the appliance must be evacuated directly into the atmosphere, these are not very visible but very hot and therefore can cause burns.

It is absolutely forbidden to obstruct the smoke outlets of the appliance with protective nets or anything else since they could cause serious malfunctions of the appliance.

It is absolutely forbidden to connect the end of the appliance to pipes or flues to convey combustion products elsewhere.

4.2– IMPORTANT SAFETY RULES

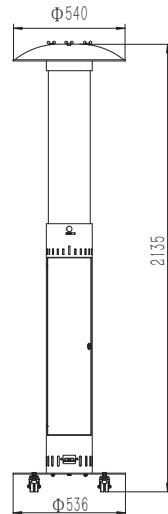
For use outdoors or in amply ventilated areas.
 An amply ventilated area must have a minimum of 25% of the surface area open.
 The surface area is the sum of the walls surface.
 The use of this appliance in enclosed areas can be dangerous and is PROHIBITED.
 Children and adults should be aware of the high operating temperatures of areas above the post when operating this appliance. Children should be carefully supervised when in the vicinity of the appliance.
 NEVER hang anything, including clothes or any other flammable items, on this appliance.
 DO NOT operate this appliance unless it is fully assembled with its reflector in place.
 Respect the minimum clearances from combustible materials.



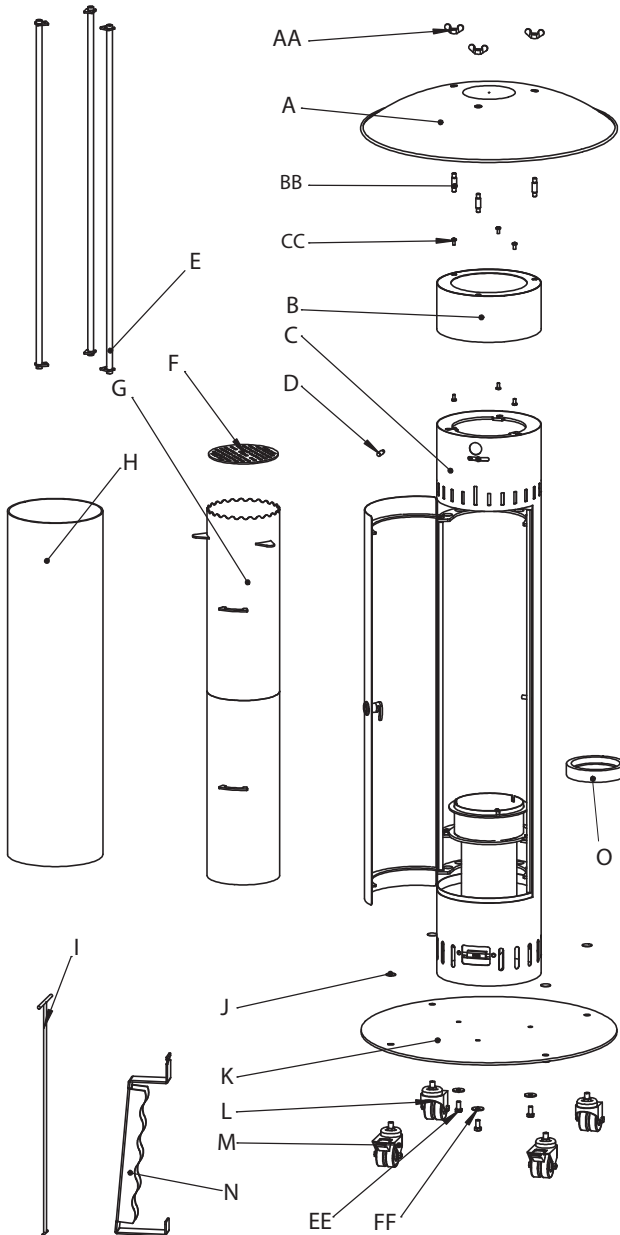
The installation distances must be respected for safety and fire prevention. If the floor is made of flammable material, for example: (wood, carpet, rubber, plastic), it is mandatory to provide for the use of adequately sized floorboards (sheet metal, glass). It is prohibited to place flammable materials near the appliance (example: bags of pellets, flammable liquids, etc.).

4.3 – TECHNICAL SPECIFICATIONS

Dimensions L x W x H mm	Ø540mmx2135mm
Loading Pellets in kg approx.	7.5
Max Power approx.	7 kW



5-PART LIST



#	DESCRIPTION	QTY
A	Reflector	1
B	Top cap	4
C	Pellet heater body	1
D	Pin	1
E	Rod	3
F	Grid	1
G	Burner	1
H	Glass tube	1
I	Hook	1
J	Plug	4
K	Base	1
L	Wheel	2
M	Wheel with braker	2
N	Burner handle	1
O	Ash pan	1
AA	Wing nut	3
BB	Reflector spacer	3
CC	M5x10 Bolt	6
EE	M8x20 Bolt	3
FF	Φ8 washer	3

6-ASSEMBLY

Instruction before assembly

Required Tools: Philip Screwdriver / Adjustable Spanners / Wrenches
 Before assembly, make sure all packing material and any transmit protection must be moved. Small deviations in equipment may occur.

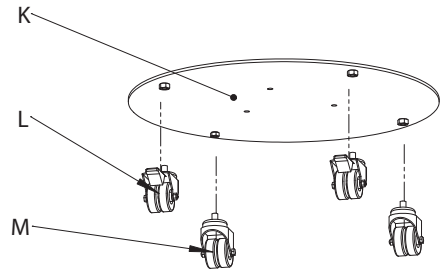


CAUTION:

- Glass tube and pellet heater body is a hot part, don't touch it while it is working!
- In case of hotplate glass breakage, shut off all burners and any heating element and isolate the appliance from the power supply.
- Do not touch the appliance surface.

Step 1:

Attach 2pcs Wheel with braker (L) and 2pcs Wheel (M) to Base(K).



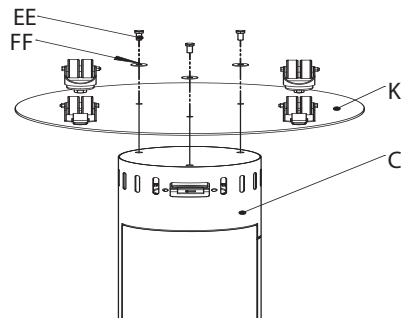
Step 1

Step 2:

Hardware Used

- | | | |
|----|------------|-----|
| ⓔⓔ | M8x20 bolt | X 3 |
| ⓕⓕ | Φ8 Washer | X 3 |

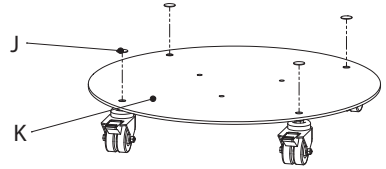
Attach the Base(K) to Pellet heater body(C) with 3pcs M8x20 bolt(EE) and 3pcs Φ8 washer.



Step 2

Step 3:

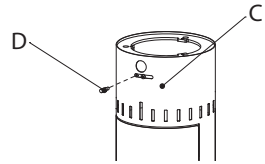
Attach 4pcs Plug (J) to four holes in the Base(K).



Step 3

Step 4:

Install Pin(D) into the screw hole of pellet heater body (C).



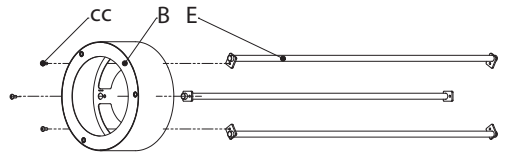
Step 4

Step 5:

Hardware Used

 **M5X10 bolt**  **X 3**

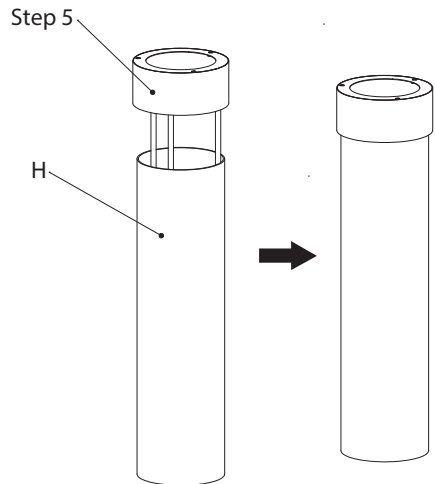
Attach 3pcs Rod(E) to the Top cap(B) with 3pcs M5x10 bolt(CC).



Step 5

Step 6:

Slip the assembly unit (step 5) into Glass tube(H).



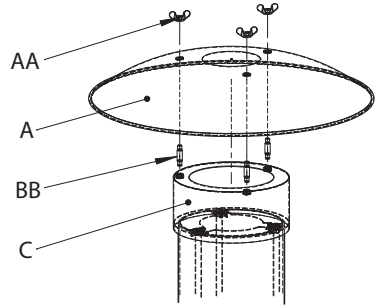
Step 6

Step 7:

Hardware Used

Ⓐ M6 nut  X 4

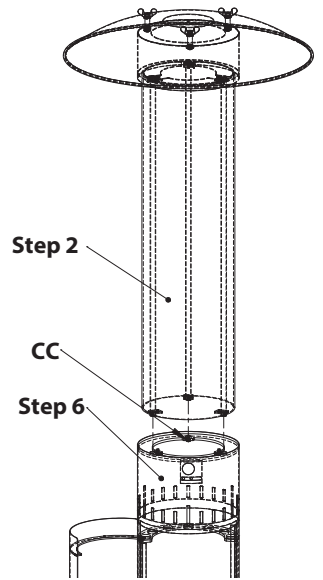
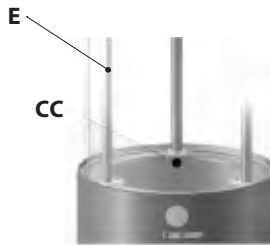
- 7.1 Install 3pcs Reflector spacer (BB) to Top cap(C).
- 7.2 Place Reflector (A) on 3pcs Reflector spacer (BB).
- 7.3 Tighten 3pcs Wing nut (AA) to 3pcs Reflector spacer (BB).



Step 7

Step 8:

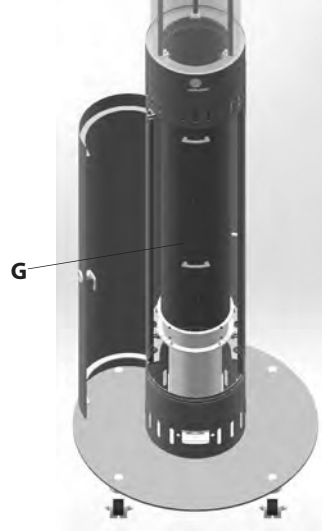
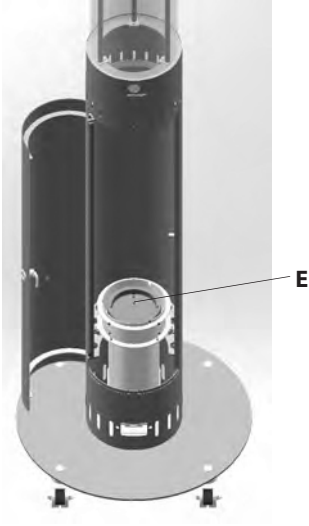
Place assembly unit (Step 2) to assembly unit (Step 6) and tighten 3pcs M5x10 bolt(CC).



Step 8

Step 9:

Put ash pan(E) and Burner(G) in turn.



7 – USER GUIDE



We remind you that the use of the appliance by children is prohibited. The external parts of the appliance, when it is turned on, are very hot, especially the glass and the door; therefore provide for appropriate measures or protections against accidental contact and fire hazards.

7.1 – THE PELLETT

The fuel used is called pellet, which is pressed wood sawdust granules.

By using only quality pellets, an almost neutral environmental impact in terms of CO₂ is obtained, a high efficiency and less ash accumulation inside the appliance.

Below are the reference parameters of a good quality pellet:

- ✓ **Approved according to EN 14961-2 A1 or A2**
- ✓ **Diameter = 6 / 6.5mm**
- ✓ Length = 10/20 mm
- ✓ Maximum moisture content 8%
- ✓ Ash residue: less than 1.5%
- ✓ Density: 650 kg / m³
- ✓ Minimum calorific value: 4.9 kWh / kg; about 18000kJ / kg
- ✓ Raw material: only natural wood free of chemicals or leftovers. If binders are present, these must only be of natural origin and in a minimum quantity.

The use of the appliance as an incinerator or in any case the use in a different way for which it was built is prohibited.



It is forbidden to use other types of fuel for powering or switching on the appliance.

The use of any pellet other than that indicated is prohibited. The use of fuel that does not comply with the above specifications, in addition to immediately voiding the appliance warranty, can create dangerous situations.

7.2 – PRELIMINARY CHECK UP



All preliminary checks must be performed at the first ignition or after a long period of inactivity.

Check that the positioning of the appliance respects the safety distances. Check that there are no flammable materials near the appliance. For safety distances see Paragraph 4.2



In case of an ignition after a long period of inactivity, all parts of the brazier, the glass and the fan area, must have previously been inspected and cleaned of ash and dust.



Check that there are no flammable materials inside the combustion chamber (documentation, cables, paper, etc.)

8-START

After unpacking the appliance, prepare all accessories nearby.

Before starting the ignition phase it is advisable to carry out preliminary checks:

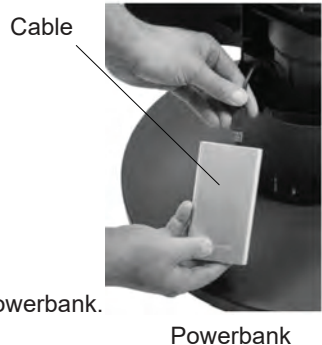
- Check that the positioning of the appliance respects the safety distances.
- Check that the appliance has no obstructions on the top near the smoke outlet.
- Check that the appliance is positioned flat, stable and perfectly vertical
- Make sure that the Powerbank (battery) is fully charged.

8.1 – POWER BANK (BATTERY)

BPH006 is a product that takes energy from a rechargeable battery (Powerbank). Before each ignition it is necessary to check that the Powerbank is charged. The state of charge is performed by checking the LED lights located on the Powerbank itself.

To proceed with charging the Powerbank, make sure that the appliance is cold and do the following:

1. Open the door and disconnect the cable from the Powerbank.
2. Remove the Powerbank.
3. Connect the battery charger to the powerbank.



Note: at the end of the operating cycle, disconnect the Powerbank.

8.2 - PELLET CHARGE



Before each START it is necessary to check that the Powerbank is charged.

Ignition operations:

- Remove the pellet tank with the appropriate handle and clean the tank and brazier if necessary.
- Pour the pellet into the tank until it is level with the top edge. Hit the walls of the reservoir to compact the pellet and drop it up to 3 centimeters from the edge.
- Rate the top layer of pellets with the vegetable fuel in the form of a spiral.
- Introduce the tank into the interior of the apparatus using the corresponding equipped handle.
- Check that the tank is correctly positioned in your seat.
- Connect the powerbank to the usb connector.
- Close the door.
- Light the flame with a long-necked gas lighter.
- Set the control panel to the H position (nominal power position). You can select M or L for decrease power. Meanwhile, the burning time will increase.



O: The ventilation system is turned off
H: Rated power position
M: Medium power working position
L: Minimum power working position

After the start-up operations, fans works in total powered by a rechargeable battery (Powerbank).

For the entire operating period, which will last approximately 5~6 hours (on H position, rated power position), no user operations are necessary.

At the end of the operating cycle, the flame will go out by itself without requiring external interventions and the appliance will enter the cooling phase which need last 30 minutes. At the end of the cooling phase it will be possible to fill the burner again.



Do not open the door when the appliance is switched on, during start-up or when it is switched off.

Let the pellet heater work until all the pellets burnt up, don't stop it when it's working.

IMPORTANT!! Don't unplug the power cord of the power bank immediately when the flame shut down and pellet used up, let the fans work at least 30min. This is for burning up the pellet residue, also cool down the ash box.



Once the device is turned on, the pellet load must be completely burned according to the cycle and the process must not be interrupted.

NOTE

During the first ignition, the appliance will exhale, for a few hours, the smell of paint. Recall that these odors are annoying but are not harmful.

After each operating cycle, it is normal for a minimum residual amount of ash to remain in the tank, which must be removed before starting the next cycle.

8.3- PELLETT FILLING/ HALF DOSE

To halve the full duty cycle (i.e. from approx. 6 hours at full charge to approx. 3 hours at half charge) use the supplied additional grid (F) in part list.

- Open the door, use the burner handle to remove the pellet tank, if necessary, clean the tank and the hearth bowl.
- Insert the supplied grid into the pellet tank using the supplied hook(I). The grid must be placed in the center of the tank and rest on the ribs present.
ATTENTION: make sure that the grid rests well and is stable.
- Pour the pellets into the tank up to the top edge. Tap the sides of the tank to compress the pellet and let it fall about 3 centimeters from the rim.
- Continue with the ignition as indicated in the previous paragraph 8.2.



9 – CLEANING AND MAINTENANCE

9.1 – INTRO

Since your appliance is pellet-powered, it requires regular general checking and cleaning. Regular maintenance ensures smooth operation and optimal performance. The user must periodically take care of cleaning the appliance as indicated in this manual.



Since your appliance is pellet-powered, it requires regular general checking and cleaning. Regular maintenance ensures smooth operation and optimal performance.



The user must periodically take care of cleaning the appliance as indicated in this manual.



For external cleaning do not use aggressive or abrasive products. Do not wash the appliance with water or other liquids, as these could cause damage to the internal electrical wirings and therefore endanger the user.



WARNING: do not wet the appliance and do not approach the electrical parts with wet hands. Never suck up hot ash: the extractor fan used could be damaged.



All cleaning and maintenance operations must be carried out with the appliance completely cold and with the Powerbank disconnected.

9.2 - CLEANING AND MAINTENANCE



Unless otherwise specified, the operations listed below are mandatory and cannot be postponed beyond the time indicated.

ATTENTION: if an ash vacuum cleaner is used, make sure that there are no embers still lit and that the ash is cold.

Clean the glass when deemed appropriate, using a cotton cloth or kitchen paper with a specific glass cleaner for stoves and fireplaces that you will find from your dealer. Be careful not to spray the cleaner onto the painted walls.

BEFORE EACH REFILL:

- Remove the brazier / pellet tank and clean it with the brush supplied, freeing the holes on the bottom from any obstructions caused by combustion residues. If necessary, remove the brazier tube and clean it with a wire brush and if possible with a vacuum cleaner.
- Clean the tank that contains the brazier and the seat of the tank inside the appliance, especially near the insulating plate.



After cleaning, and during each charge it is recommended to be very careful in the correct assembly of the tank in the appropriate seat.



The use of certified and therefore quality pellets allows the appliance to function correctly and with the declared performance, and cleaning and maintenance operations will be less onerous. The presence of silica agglomerates on the bottom indicate a poor fuel quality. See paragraph 7.1.

WEEKLY:

- Vacuum the compartments inside the appliance and on the bottom of the main metal body.
- Check the flue gas discharge terminals and make sure they are clean and free of obstructions.



ATTENTION: where it is necessary to replace parts because they are damaged or deteriorated, it is mandatory to use only original spare parts indicated by the manufacturer



ATTENTION: the generator must be cleaned according to the above specifications and absolutely no flammable products must be used: the use of flammable products can create dangerous situations. The lack or unsuitable maintenance does not allow the appliance to function properly. **Any problems due to poor cleaning or maintenance, cause the immediate expiry of the warranty.**

9.3 - END SEASON MAINTENANCE

When the appliance is turned off for a long period, it is good practice, **FOR YOUR SAFETY**, to disconnect the Powerbank.

We also recommend performing a deep cleaning of the appliance in order to remove all combustion residues.



Once a year, clean the ventilation unit with a brush and vacuum cleaner.