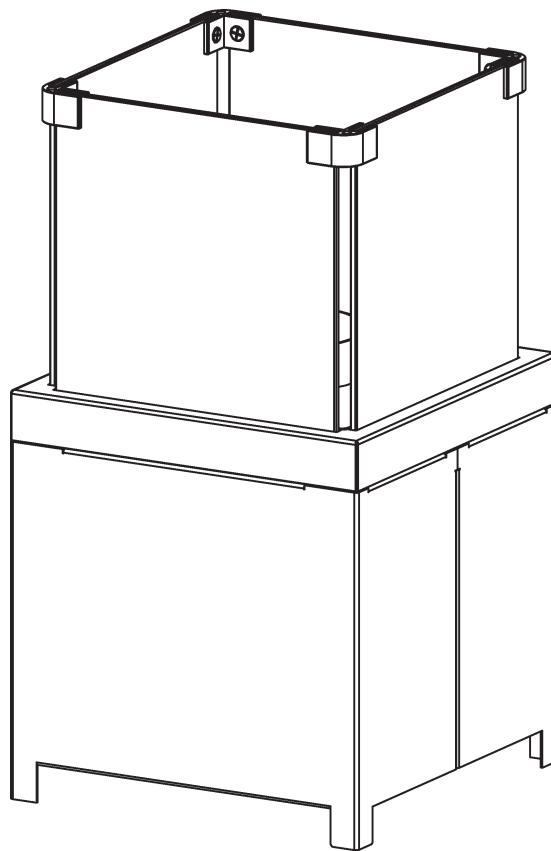


# INSTRUCTION MANUAL

**Model: BPH-Q**  
**OUTDOOR PELLET HEATER**



**WARNING: FOR OUTDOOR USE ONLY OR IN AMPLY VENTILATED AREAS  
PLEASE KEEP THE MANUAL FOR FUTURE REFERENCE!**

# Table of contents

1	Overviews
2	Maintenance
3	Purpose of Usage
4	Technical Specifications
5	Device Structure
6	Operation
7	Service
8	Cleanning
9	Trouble Shooting

## 1 OVERVIEWS

BPH-Q is an outdoor furniture. No licensing or performance obligations must be accepted (in accordance with local regulations). For smooth operation, please follow this operation manual.

### **NOTE:**

**Make sure that there is no damage to the product before you start using it. Read the manual before use.**

**Don't start in a strong wind.**

**Check security measures carefully.**

# 2 MAINTENANCE

## Note - Important Information

Read the instructions carefully and follow the prompts. This manual is manufactured by the manufacturer and is a large part of the product. Compliance with the instructions contained in this note results in safe, efficient operation of people and businesses, and ensures long-term functional availability and long life. The manufacturer is not liable for any compensation at the time of use.

## Follow the instructions

Familiarize yourself with the operating instructions and keep them handy.

## Deal with fire

Handling a fire always requires a certain level of caution. Don't let the "perceived safety" of heating tempt you into reckless behavior. Never reach for a hot glass, never cover your own or someone else's face, and never behave recklessly. Never reach for hot glass and never place your face or any other part of your body in an open flame. Never leave children unsupervised near a fire. Body parts in an open flame. Never leave children unsupervised near a fire.

## Fire extinguishing device

No matter what burning area (e.g. candles, torches, torches...). Keep them all carefully. Be ready to receive good extinguishing instructions at all times.

## Weather

Do not operate the pellet heater during storms or inappropriate weather conditions. Do not operate equipment in rain or snow. Store equipment in a safe place during a storm. (Tipping over may cause consequential damage)

## Supervision

Regardless of the type of fireplace, it should never be left unattended. Never leave children, pets, or intoxicated people around a fire unattended.

## Fuel and Ignition

Use only the fuel and ignition materials specified in the chapter "Fuels and ignition materials". Never pour fuel or igniter into a flame.



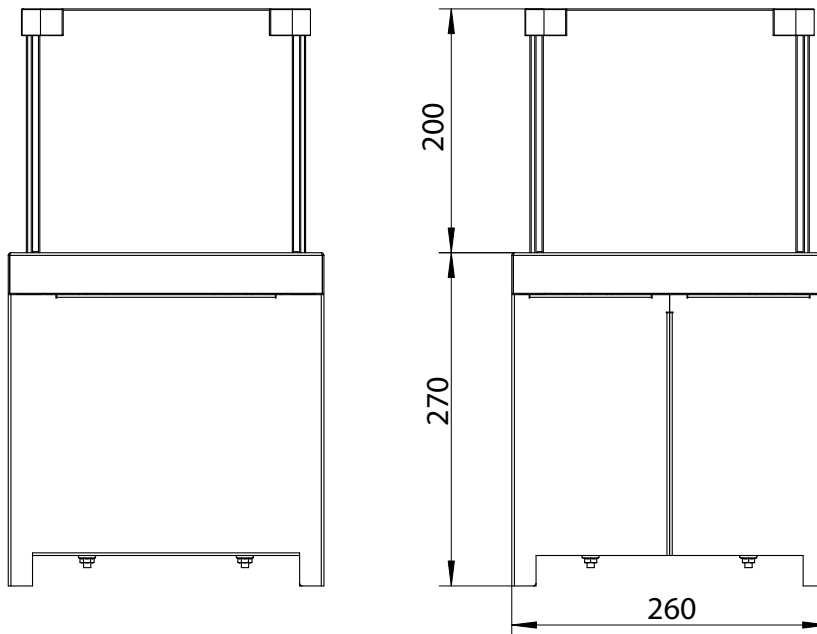
### 3 PURPOSE OF USAGE

BPH-Q is an outdoor pellet heater that can be used as a fireplace. Heat is generated by burning wood pellets. The basic requirements for guarantee and warranty are professional installation and operation. Manufacturer disclaims all liability for damage and malfunctions traceable to incorrect handling and use of inferior or non-recommended quality fuel.

### 4 TECHNICAL SPECIFICATIONS

<b>Dimensions L x W x H mm</b>	260x260x470	<b>Power approx.</b>	1.5 kW
<b>Net weight in kg approx.</b>	8.6	<b>Burn time* in min</b>	80-100
<b>Loading Pellets in kg approx.</b>	1	<b>Burnout phase* in min</b>	110-150
<b>Fuel</b>	<b>Wood pellets according to EN 14961-2 A1 or A2</b>	<b>Total running time* in min</b>	190-250

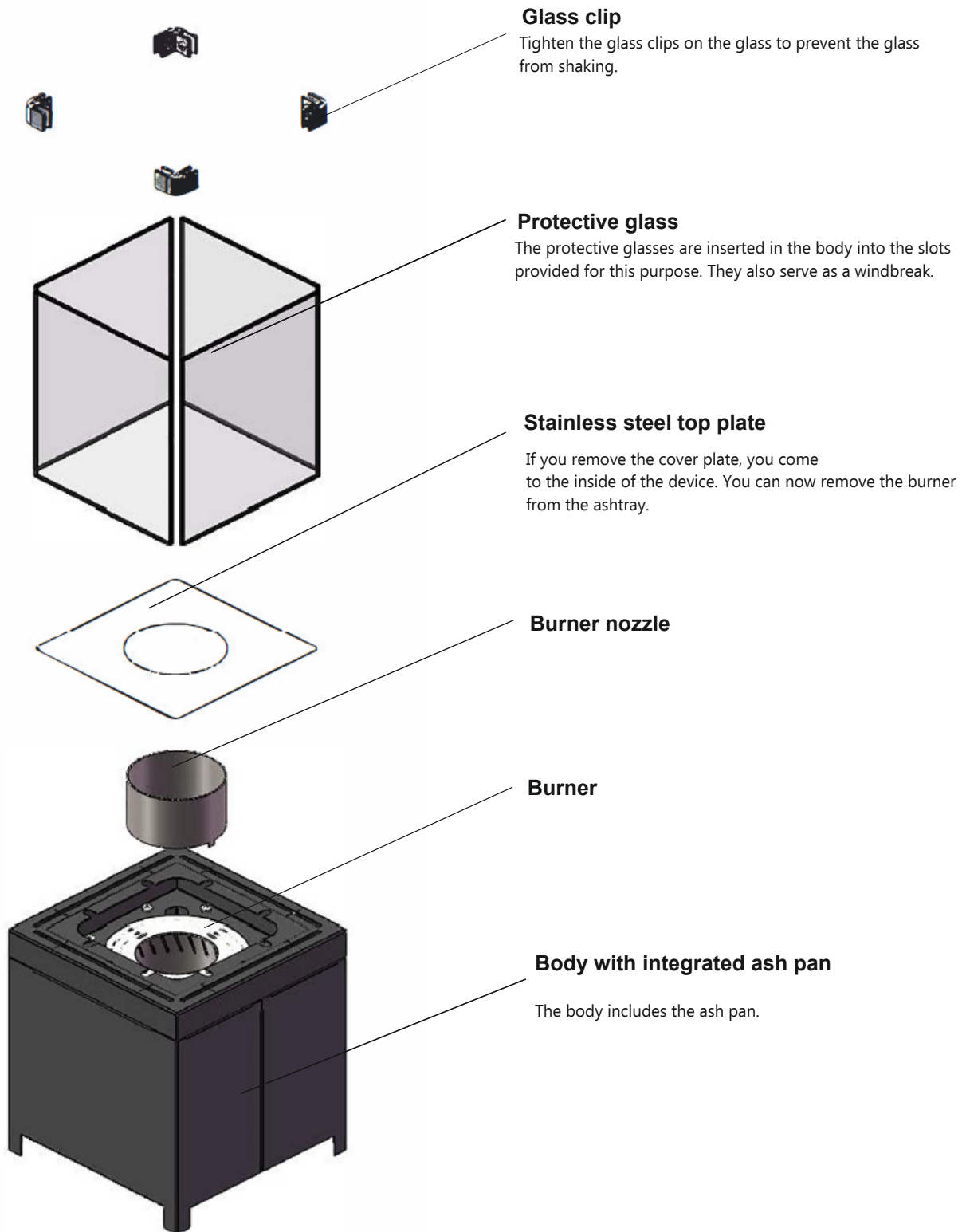
The BPH-Q is fully assembled and packed in a box. The body is heat-resistant powder-coated. The cover plate with integrated bracket as well as the burner and the ash tray are made of stainless steel.



#### Details

- \* Depends on many factors such as pellet quality, weather, humidity, ambient temperature...
- Burning time and combustion quality are specified for DIN/EN plus pellet quality.
- Due to hardening, old pellets that have been stored for a long time burn worse than fresh, good quality pellets.
- Temperatures and burning times may vary depending on the outside temperature. Only operate the device when outside temperatures are below 30 C!

# 5. DEVICE STRUCTURE



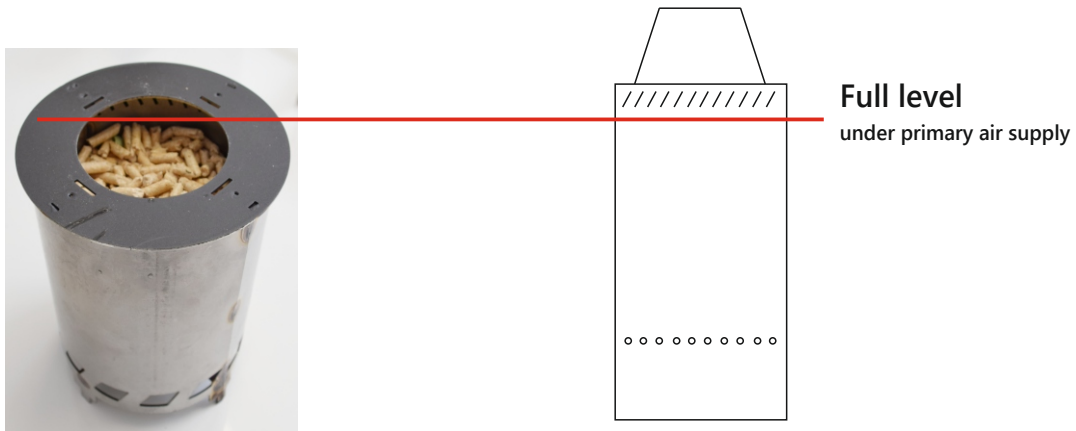
**WARNING:**

Never handle the hot burner. Always allow the burner to cool down in the appliance.

# 6. OPERATION

## Fill burner

Take the cool pellet burner out of the unit and remove the nozzle. Fill the burner with pellets from above. Make sure to only fill the burner to about 1-2 cm below the main air inlet. Fill is approximately 1.0 kg. Note: Do not underfill, the equipment needs this filling amount to run smoothly.



## Apply ignition agent, insert burner and light

Spread a small amount of fuel paste over the pellets in a spiral. Then insert the burner into the housing. Attach the nozzle and cover plate and light the pellets with a stick lighter. You can use any gel-based ignition aids. The ignition phase lasts about 5-10 minutes.



## DANGER

**Never use liquid lighters such as oil, petrol, spirit,....**  
**This leads to indefinable operating states and can endanger your health.**

**Never add fuel when there are still embers.**  
**Never hold flammable objects or body parts over the flame.**  
**Do not touch the burner or the bottom of the appliance if there are still embers.**

# 7.SERIVCE

## Fire phase

After the starting phase one can observe that the fuel lowers and the flame exits through the primary air supply. Once this in appearance occurs, we speak of the biomass gasification phase.

The combustible gases escape above the fuel and ignite when the primary air is supplied. This Process ensures absolutely safe and clean combustion. The construction also creates a beautiful flame.



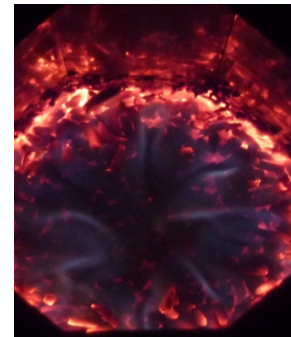
Fire phase

## Burnout phase

All easily combustible gases burned and the embers can still be seen, this is referred to as the burnout phase. Since the flame and thus the draft are no longer present, a higher temperature arises in this phase. This can be observed above all by the fact that a bluish flame can be seen above the embers and the device heats up. Let the embers burn out completely. Only a very small amount of residual ash remains.

## Housing heating in the burnout phase

**Note: In the burnout phase, a great deal of heat is generated. Make sure that the device is placed on a heat-resistant surface.**



Burnout phase

## How do you put out the fire?

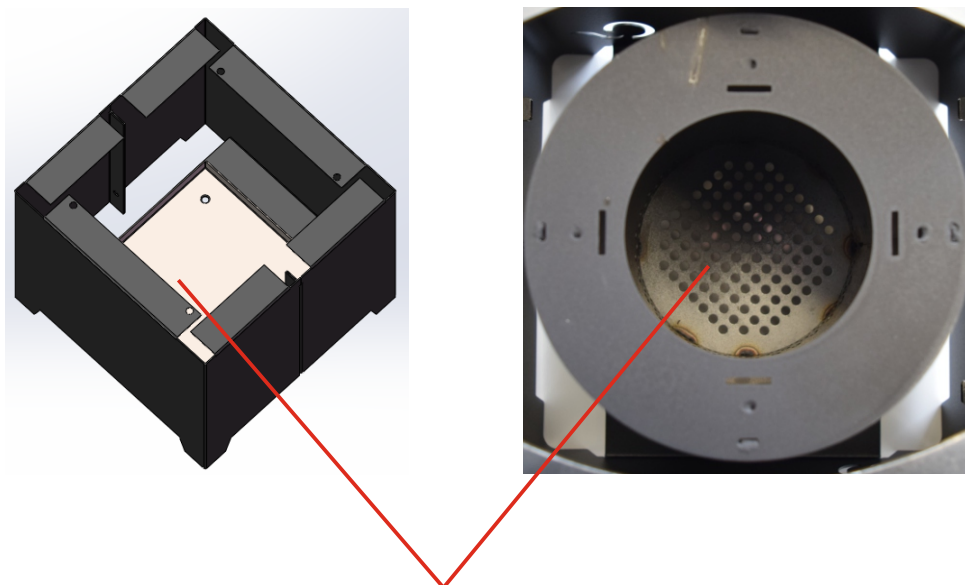
If possible, always let the fire burn out. If this is not possible, extinguish it or the embers with a glass of water.

**Attention - this can lead to the development of smoke! Remove the remaining pellets from the burner before the next use!**

## 8. CLEANING

### Clean the air intake openings before each use

Before starting again, remove the cold residual ash from the ash tray and burner. Take a brush and sweep the cold leftover ash into the organic waste. The openings on the bottom of the burner must be open (not covered with ash) before next start.



Clean the ash tray and burner openings before use!

## 9. TROUBLE SHOOTING

### Bad burn

Causes: Check pellet quality

### Different burning times

The burning time depends on numerous factors (pellets quality, air humidity, ambient temperature, wind,.....) and can therefore vary.