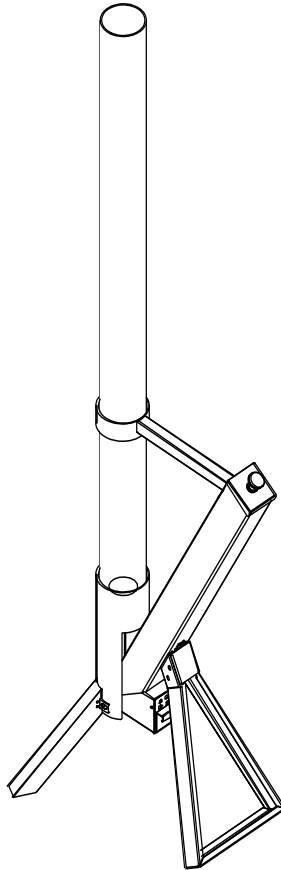


# INSTRUCTION MANUAL

**Model: BPH-R80**  
**OUTDOOR PELLET HEATER**



**WARNING: FOR OUTDOOR USE ONLY OR IN AMPLY VENTILATED AREAS !**  
**PLEASE KEEP THE MANUAL FOR FUTURE REFERENCE !**

---

# TABLE OF CONTENTS

<b>INDEX</b> .....	<b>1</b>
<b>1 – WARNINGS</b> .....	<b>2</b>
<b>2 – SAFETY</b> .....	<b>3</b>
<b>3 – SHIPPING AND STOCKING</b> .....	<b>4</b>
<b>4 – INSTALLATION INSTRUCTIONS</b> .....	<b>4</b>
4.1 – LOCATION OF THE APPLIANCE .....	<b>5</b>
4.2 – IMPORTANT SAFETY RULES .....	<b>6</b>
4.3 – DIMENSIONS .....	<b>6</b>
<b>5 – PART LIST</b> .....	<b>7</b>
<b>6 – ASSEMBLY</b> .....	<b>8</b>
<b>7 – USER GUIDE</b> .....	<b>11</b>
7.1 – THE PELLET .....	<b>11</b>
7.2 – PRELIMINARY CHECK UP .....	<b>12</b>
<b>8 - START</b> .....	<b>12</b>
<b>9 - CLEANING AND MAINTENANCE</b> .....	<b>13</b>
9.1 – INTRO .....	<b>13</b>
9.2 - CLEANING AND MAINTENANCE .....	<b>14</b>

---

**Please take some time to read this manual carefully before you use it for the first time. In this way you can make the best use of your appliance in conditions of safety and efficiency.**

## 1–WARNINGS

Read the instructions carefully and follow the prompts. This manual is manufactured by the manufacturer and is a large part of the product. Compliance with the instructions contained in this note results in safe, efficient operation of people and businesses, and ensures long-term functional availability and long life. The manufacturer is not liable for any compensation at the time of use.

### HOW TO READ THIS GUIDE

"Bold" texts require more attention from the user; cursive text is possibly used in paragraphs for the purpose of providing more information or additional clarifications.

Any "Note" provides the user with additional information on the subject.



#### MANUAL

Consult this manual or any references to other documentation.



#### ADJUSTMENTS AND OPERATING SETTINGS:

Sequence of buttons to be pressed to access menus or make adjustments.



#### INFORMATION

Failure to comply with what is prescribed will compromise the use of the product.



#### DAMAGE TO PERSONS

This security symbol identifies important information.

Read the information that follows carefully, as failure to follow the instructions can cause serious damage to people using the appliance.



#### PROHIBITION

This symbol categorically prohibits the operation or situation described in the information.

Failure to comply would result in what is mentioned for the "PERSONAL DAMAGE" symbol

---

## 2–SAFETY

The appliance has been designed to minimize the risks for the user and maintenance personnel. During the project, it was not technically possible to completely eliminate the causes of risk, therefore it is absolutely necessary to comply with the following instructions.

The use of the appliance is prohibited to children and unassisted disabled people.

It is forbidden to tamper with the safety or adjustment devices and any other modification without the manufacturer's authorization.



The use of the appliance as an incinerator or in any case the use in a different way for which it was built is prohibited.

It is forbidden to place rags or clothes to be dried on the appliance, any drying racks must be placed at a minimum distance of 1.2 meters from the appliance in order to avoid fire hazards.

It is forbidden to open the appliance door during the ignition, operation and shutdown phases.

It is forbidden to operate the appliance if the glass of the combustion chamber is broken.



It is forbidden to clean the glass and all hot parts while the appliance is in operation.

It is forbidden to touch the appliance while it is running or in any case when it is not completely cooled as some parts (handle, door, glass, etc.) could cause burns. If necessary, use protective clothing (example: gloves, etc.). It is forbidden to use other types of fuel for the power supply or ignition of the appliance.

It is forbidden to put flammable materials near the appliance (example: bags of pellets, flammable liquids, etc.).



**Children must not play with the appliance even if it is turned off. Cleaning and maintenance is intended to be carried out by the user or by qualified personnel.**

### **WARNING**

Do not use the appliance under rain, the glass protections may break when they suddenly encounter water. Always turn off the appliance while it rains. Do not spray any liquid on the glass while the appliance is running. The glass is extremely hot during operation, do not try to touch it and keep children away from the appliance. Always make sure that the equipment is in a stable position. The glass protections could break if the appliance falls to the ground. Do not use the appliance if the glass is broken or damaged.





## CAUTION

Some parts of this product can become very hot and cause burns. Particular attention must be paid where children and vulnerable people are present.

During and immediately after operation, the appliance is extremely hot.

NEVER touch the appliance during or immediately after operation.

NEVER move the appliance during this time.

## 3–SHIPPING AND STOCKING



The body of the appliance must always be moved in a vertical position. Particular attention must be paid to ensuring that the glass and all delicate parts are preserved from mechanical impacts that compromise its integrity and correct functioning.

The appliance and any accessories such as steel, glass or stone cladding must be stored in closed and humidity-free rooms. Do not stack the appliances one on top of the other. Handle with care the boxes containing the appliances.

It is not recommended to keep the product in stock for excessively long periods.

## 4–INSTALLATION INSTRUCTIONS

The installation and assembly of the appliance must be carried out carefully following the instructions and in full compliance with the state and local reference standards. An installation that does not comply with the provisions of the regulations can cause damage to people, animals or things. In this case The manufacturer declares itself relieved of any responsibility.



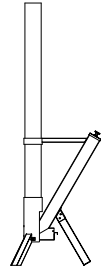
ATTENTION: if the indications given in this booklet are not respected and / or if the installation is not in a workmanlike manner and / or if the provisions in force on the matter are not respected, this can occur dangerous conditions both for things and for people.

---

## 4.1 – LOCATION OF THE APPLIANCE



Pellet heater is an open hearth combustion appliance intended exclusively for outdoor use or in partially closed rooms such as porches, pergolas. The positioning of the appliance must take place on a leveled surface with adequate load capacity in relation to the weight of the appliance. If necessary, redistribute the weight evenly by placing an adequately sized fireproof platform between the floor and the appliance.



ATTENTION: the appliance must be installed perfectly perpendicular to the ground.



The appliance has been designed to work with favorable climatic conditions, in case of particularly adverse conditions (strong wind, intense rain, snow) it is not recommended to use the appliance.



Installation of the appliance in unsuitable rooms with insufficient ventilation (where the correct evacuation of combustion products is not guaranteed) is not allowed. It is forbidden to place the device in environments with an explosive atmosphere.



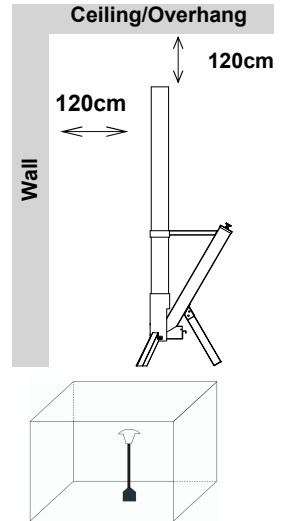
The combustion products generated by the appliance must be evacuated directly into the atmosphere, these are not very visible but very hot and therefore can cause burns.

It is absolutely forbidden to obstruct the smoke outlets of the appliance with protective nets or anything else since they could cause serious malfunctions of the appliance.

It is absolutely forbidden to connect the end of the appliance to pipes or flues to convey combustion products elsewhere.

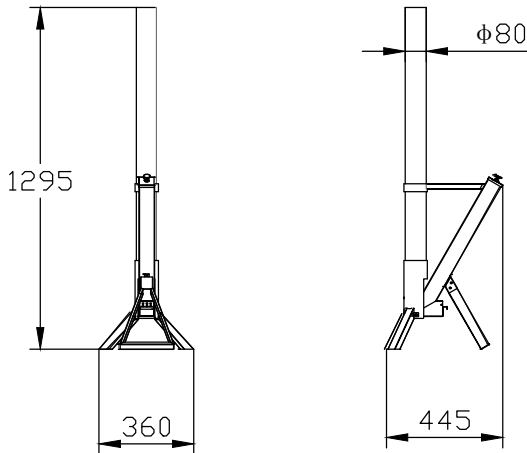
## 4.2- IMPORTANT SAFETY RULES

For use outdoors or in amply ventilated areas.  
An amply ventilated area must have a minimum of 25% of the surface area open.  
The surface area is the sum of the walls surface.  
The use of this appliance in enclosed areas can be dangerous and is PROHIBITED.  
Children and adults should be aware of the high operating temperatures of areas above the post when operating this appliance. Children should be carefully supervised when in the vicinity of the appliance.  
NEVER hang anything, including clothes or any other flammable items, on this appliance.  
DO NOT operate this appliance unless it is fully assembled with its reflector in place.  
Respect the minimum clearances from combustible materials.

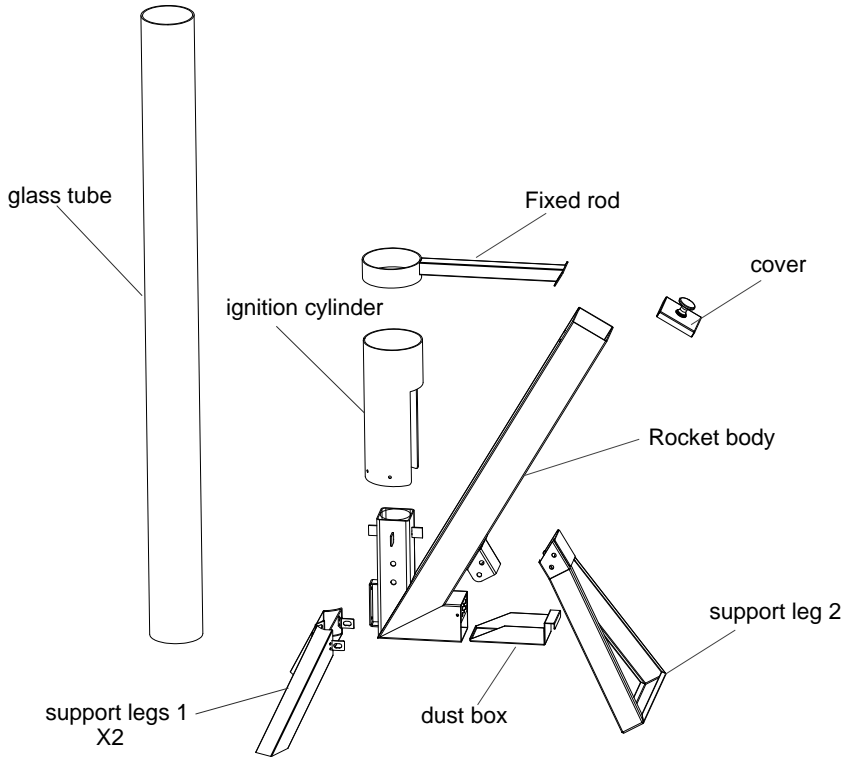


The installation distances must be respected for safety and fire prevention. If the floor is made of flammable material, for example: (wood, carpet, rubber, plastic), it is mandatory to provide for the use of adequately sized floorboards (sheet metal, glass). It is prohibited to place flammable materials near the appliance (example: bags of pellets, flammable liquids, etc.).

## 4.3 – DIMENSIONS



5-PART LIST



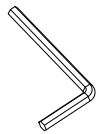
flange nut M5  
QTY : 2PCS



Inner hexagon  
M5X10  
QTY : 8PCS



Inner hexagon  
M5X55  
QTY : 2PCS



Allen wrench



---

## 6-ASSEMBLY

### Instruction before assembly

Required Tools: Adjustable Spanners / Wrenches

Before assembly, make sure all packing material and any transmit protection must be moved. Small deviations in equipment may occur.

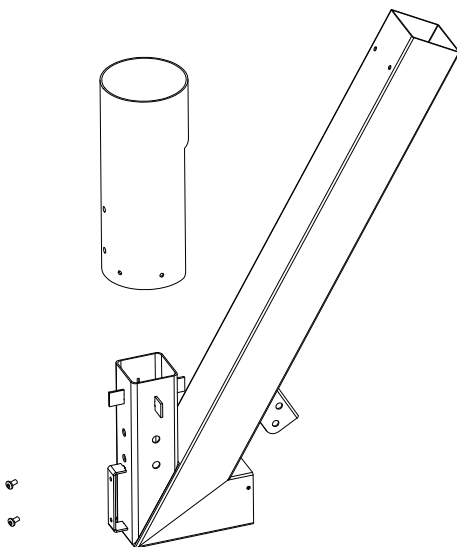


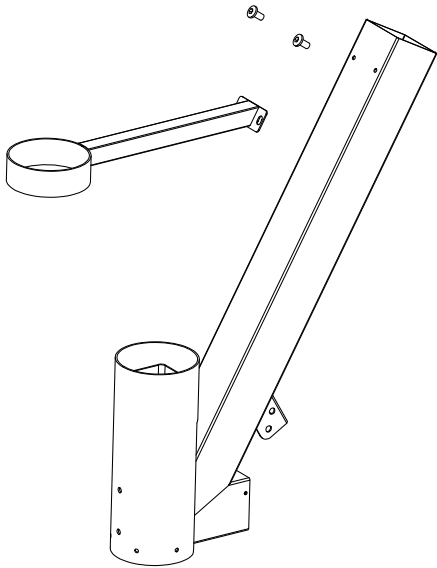
**Please remove out all glass parts slowly and carefully.**

#### **CAUTION:**

- **Glass window is a hot part, don't touch it while it is working!**
- **In case of hotplate glass breakage, shut off all burners and any heating element and isolate the appliance from the power supply.**
- **Do not touch the appliance surface.**

**Step1** , Insert the ignition cylinder into the rocket body and tighten it with screws (note the vertical adjustment)

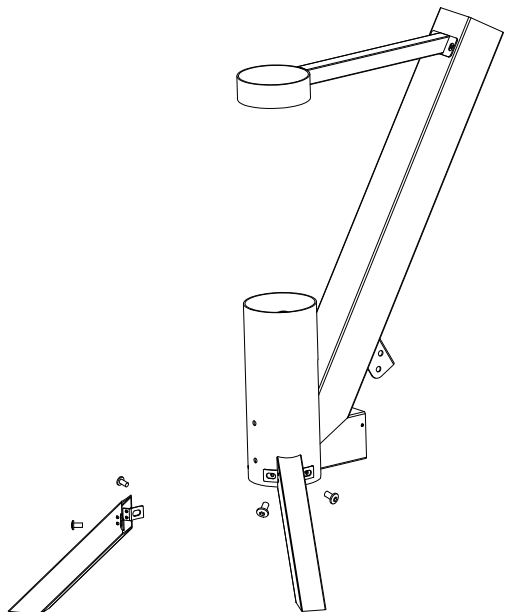


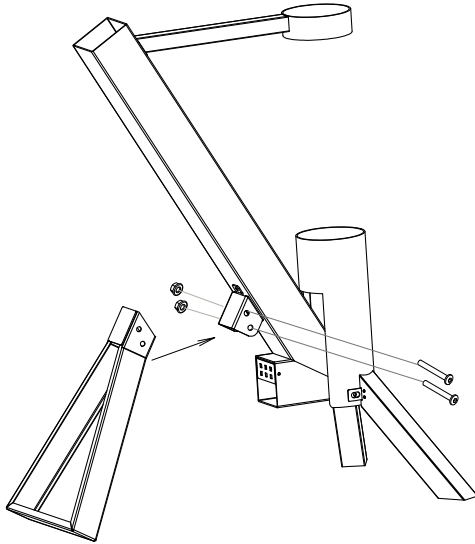


**Step2** , Install the fixing rod to the rocket body (icon) and tighten with screws.

---

**Step3** , Attach the two support legs 1 to the ignition cylinder and tighten the screws to adjust the level.

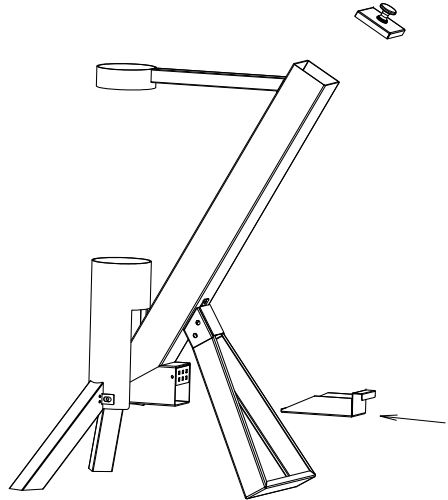




**Step4** , Insert the support leg 2 into the rocket body support and tighten with long screws and bolts (pay attention to the level adjustment).

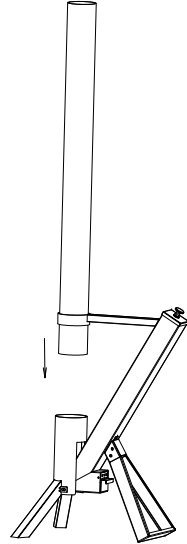
---

**Step5** , Insert the dust box and cover into the positions.



---

**Step6 , Insert glass tube.**



## 7 – USER GUIDE



We remind you that the use of the appliance by children is prohibited. The external parts of the appliance, when it is turned on, are very hot, especially the glass and the door; therefore provide for appropriate measures or protections against accidental contact and fire hazards.

### 7.1 – THE PELLETT

The fuel used is called pellet, which is pressed wood sawdust granules.

By using only quality pellets, an almost neutral environmental impact in terms of CO<sub>2</sub> is obtained, a high efficiency and less ash accumulation inside the appliance.

Below are the reference parameters of a good quality pellet:

- ✓ **Approved according to NEN-EN-ISO 17828/ NEN-EN 15210-1**
- ✓ **Just use certified pellets – ENplusA1**
- ✓ Length : 15- 40 mm
- ✓ Diameter : 6 mm
- ✓ Maximum moisture content : 10%
- ✓ Density : 600 – 750 kg/m<sup>3</sup>
- ✓ Minimum calorific value : 4,6 kWh / Kg
- ✓ Raw material : only natural wood - preferably 100% softwood



The use of the appliance as an incinerator or in any case the use in a different way for which it was built is prohibited.

It is forbidden to use other types of fuel for powering or switching on the appliance.

The use of any pellet other than that indicated is prohibited. The use of fuel that does not comply with the above specifications, in addition to immediately voiding the appliance warranty, can create dangerous situations.

## 7.2 – PRELIMINARY CHECK UP



All preliminary checks must be performed at the first ignition or after a long period of inactivity.

Check that the positioning of the appliance respects the safety distances. Check that there are no flammable materials near the appliance. For safety distances see Paragraph 4.2



In case of an ignition after a long period of inactivity, all parts of the brazier, the glass and the fan area, must have previously been inspected and cleaned of ash and dust.



Check that there are no flammable materials inside the combustion chamber (documentation, cables, paper, etc.)

## 8-START

After unpacking the appliance, prepare all accessories nearby.

Before starting the ignition phase it is advisable to carry out preliminary checks:

- Check that the positioning of the appliance respects the safety distances.
- Check that the appliance has no obstructions on the top near the smoke outlet.
- Check that the appliance is positioned flat, stable and perfectly vertical

Ignition signal :





Once the device is turned on, the pellet load must be completely burned according to the cycle and the process must not be interrupted.

**NOTE**

During the first ignition, the appliance will exhale, for a few hours, the smell of paint. Recall that these odors are annoying but are not harmful.

After each operating cycle, it is normal for a minimum residual amount of ash to remain in the tank, which must be removed before starting the next cycle.

## **9-CLEANING AND MAINTENANCE**

### **9.1 – INTRO**

Since your appliance is pellet-powered, it requires regular general checking and cleaning. Regular maintenance ensures smooth operation and optimal performance. The user must periodically take care of cleaning the appliance as indicated in this manual.



**Since your appliance is pellet-powered, it requires regular general checking and cleaning. Regular maintenance ensures smooth operation and optimal performance.**



The user must periodically take care of cleaning the appliance as indicated in this manual.



For external cleaning do not use aggressive or abrasive products.

## 9.2 - CLEANING AND MAINTENANCE



Unless otherwise specified, the operations listed below are mandatory and cannot be postponed beyond the time indicated.

**ATTENTION: if an ash vacuum cleaner is used, make sure that there are no embers still lit and that the ash is cold.**

Clean the glass when deemed appropriate, using a cotton cloth or kitchen paper with a specific glass cleaner for stoves and fireplaces that you will find from your dealer.

### **BEFORE EACH REFILL:**

- Remove the brazier / pellet tank and clean it with the brush supplied, freeing the holes on the bottom from any obstructions caused by combustion residues. If necessary, remove the brazier tube and clean it with a wire brush and if possible with a vacuum cleaner.



The use of certified and therefore quality pellets allows the appliance to function correctly and with the declared performance, and cleaning and maintenance operations will be less onerous. The presence of silica agglomerates on the bottom indicate a poor fuel quality. See paragraph 6.1.



Once a year, clean the ventilation unit with a brush and vacuum cleaner.